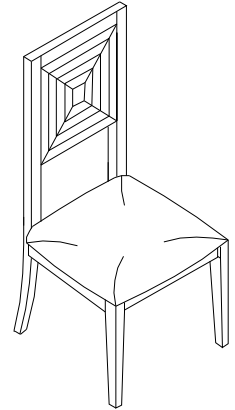


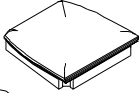








Warning :

- Be sure to check all packing material carefully for small parts, which may have come loose inside the carton during shipment.
- To prevent possible scratches and damage, this furniture must be assembled on a soft surface such as a blanket or carpet.

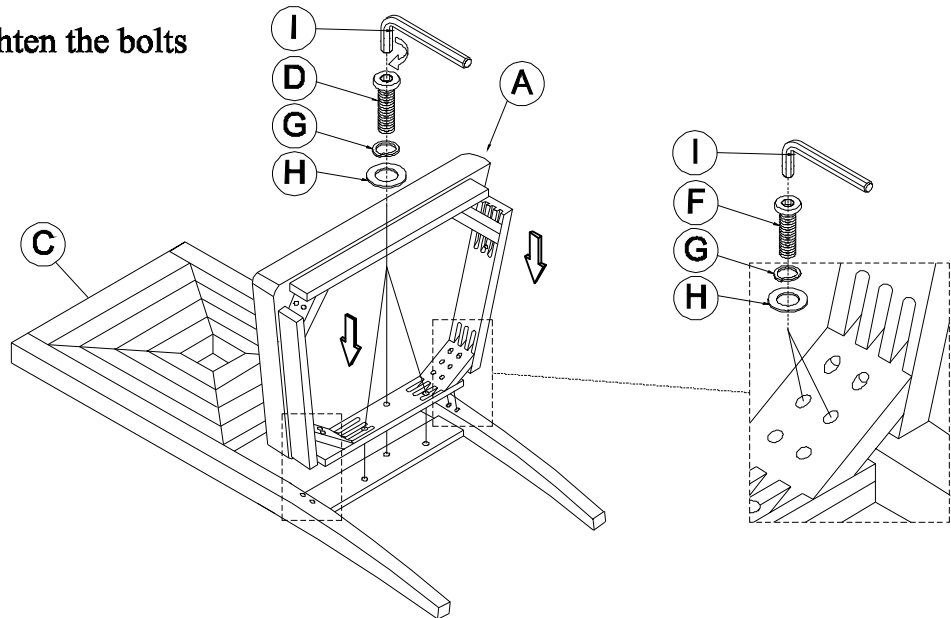


73457
UPH WOOD-BK SID CHAIR 2IN

Components and Hardware List

Seat Cushion  A 1 pc.	Front Leg  B 2 pcs.	Chair Back  C 1 pc.	Allen Head Bolt 5/16"-18 x 1-3/4"  D 3 pcs.	Allen Head Bolt 5/16"-18 x 2"  E 4 pcs.
Allen Head Bolt 5/16"-18 x 3-1/4"  F 4 pcs.	Spring Washer 5/16" x12 x 3mm  G 11 pcs.	Flat Washer 5/16" x 19 x 2mm  H 11 pcs.	Allen Key 5mm  I 1 pc.	

STEP 1: Do not fully tighten the bolts



STEP 2: Using the Allen Key to tighten all bolts

